

# DP-303

## High Speed Digital Master Reproducer

The Otari DP-303 Digital Master reproducer is a playback machine for a high speed duplication system for high quality pre-recorded audio cassette tapes. Since the DP-303 plays digital audio signals from its solid state memory (SDRAM), there is no concern for tape jam or deterioration of sound quality due to repeated duplicating often experienced on conventional loop-bin tape master players. The DP-303 has been designed to be a replacement for analog master tape players and can connect to high speed slave recorders from Otari (DP-205, DP-75, DP-55, etc.) or from other manufacturers. Two copy rates can be selected from 64x 80x 128x, and 160x according to slave recorder used with. (Copy rate should be specified when ordering. A single speed model is also available.)

- Intuitive and easy operation using Otari original application software. (for Windows 2000\*)
- Support for Compact Discs in CD-DA and WAVE Format (one CD can contain Programs for sides A and B.)
- Maximum copy rate of 160x play speed for 44.1 kHz sample rate programs.
- Support for networking. The DP-303 can connect to up to PC via Ethernet (100 Base/T). An external PC can be used as a controller (server) or a monitor. CD-ROM drives and removable hard disk drives for master program acquisition.
- Ample SDRAM capacity to cover long program equivalent to C-120.
- Switching of Four Operation Mode Presets. (copy rate, bias, EQ, Dolby HX Pro\*\* on/off) (Compatible with DP-55, DP-75, and DP-95)
- Cue tone oscillator with variable frequency and output level. Separate 4-channel buffer amplifier.
- Record signal output level adjustment in 1 dB steps.
- LED bar graph level meters.
- Monitor output for external powered monitor speakers.
- Automatic Stop based on the number of playback cycles or product count (with DP-75 or DP-205).



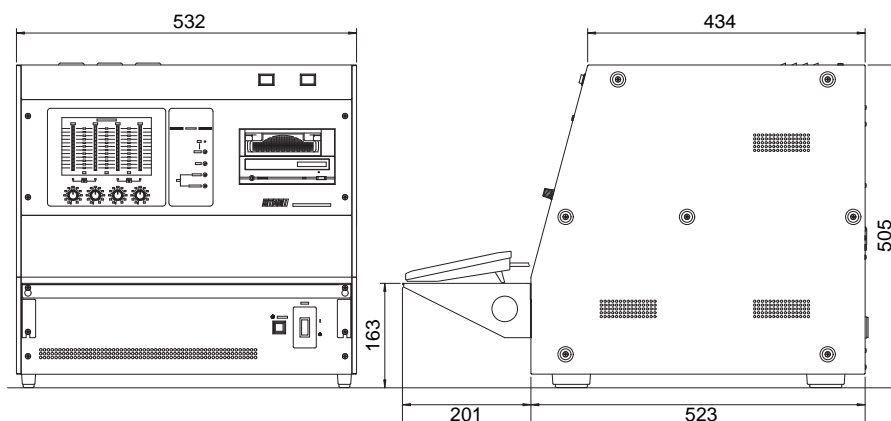
\* Windows is a registered trademark of Microsoft Corporation.

\*\* HX Pro Headroom Extension originated by Bang & Olufsen and manufactured under license from Dolby Laboratories Licensing Corporation. "Dolby", the Double-D symbols, and HX Pro are trademarks of Dolby Laboratories Licensing Corporation.

# DP-303 Specifications

Playback Speed	Two from 64x, 80x, 128x, 160x (One-speed machine is also available)
Number of Tracks	4 tracks, 4 channels
Digital Audio Data	44.1kHz, 16-bit linear PCM
Master CD Format	CD-ROM (containing WAVE format files) CD-DA (containing CDA format files)
Master Program Loading Method	CD-ROM Drive (40x speed) Hard Disk Drive (20 GByte) Via Ethernet
Master Program Loading Time (C-60)	CD-ROM: 450 s Hard Disk: 90 s Via Ethernet (100 Base/T): 120 s
Record Output Signal	Reference Output Level Output Level: 0 dBu (75-Ω load) Maximum Output Level: +20 dBu Connector: BNC type (unbalanced, 4 channels x 2 sets)
Playback Frequency Response	64x/80x: 20 Hz to 20 kHz, +0.5/-1 dB 128x: 20 Hz to 18 kHz, +0.5/-1 dB 160x: 20 Hz to 15 kHz, +0.5/-1 dB
Dynamic Range	approx. 96 dB
THD (0 VU (0 dB), @ 1 kHz)	64x/80x/128x: max. 0.2% 160x: max. 0.5%
Crosstalk	Less than 70 dB (@ 1 kHz)
Level Control Range	-∞, -20 to 0 dB in 1 dB steps
Level Meter	12-segment LED bar graph peak meter x 4
Cue Tone Oscillator	10 Hz x 64, x 80, x 128, x 160 (freq. & level adjustable)
Monitor Output (from PC's sound card)	Frequency Response: 20 Hz to 20 kHz ± 2 dB (@ 1x normal playback speed)
Slave Recorder Remote Control Interface	Type of Communication: Parallel Deck Control: START/STOP Bias Selection: 1, 2, 3, 4 Equalizer Selection: 1, 2, 3, 4 Optional Function Selection: ON/OFF Connector: D-sub 25-pin (female) x 2
Dimensions	580 x 546 x 510 mm (W x H x D, excl. monitor display)
Weight	approx. 46 kg
Operating Environment	Temperature 10–30 °C. Relative Humidity 20–80%
Storage Environment	Temperature -20–45 °C. Relative Humidity 10–80%
Power Supply & Power Consumption	100 / 117 / 220 / 240 VAC +/- 5 %, 50 / 60 Hz 350 VA

Specifications are subject to change without notice or obligation.



## OTARI®

### Otari ,Inc.

4-33-3 Kokuryo-cho  
Chofu-shi, Tokyo 182-0022  
Japan  
Tel: 81/424-81-8626  
Fax: 81/424-81-8633  
email: sales@otari.co.jp

### Otari Europe GmbH.

Rudolf-Diesel-Strasse 12  
D-40670 Meerbusch  
Germany  
Tel: 49/2159-50861  
Fax: 49/2159-1778  
email: info@otari.de

### Otari Singapore Pte., Ltd.

12 Tannery Road  
03-07 HB Centre  
Singapore 347722  
Tel: 65/6846-1553  
Fax: 65/6846-7875  
email: sales@otari.com.sg

### Otari U.S.A. Sales Inc.

9420 Lurline Avenue,  
Unit C, Chatsworth,  
CA 91311 U.S.A.  
Tel: 1/818-734-1785  
Fax: 1/818-734-1786  
email: sales@otari.com

Represented By